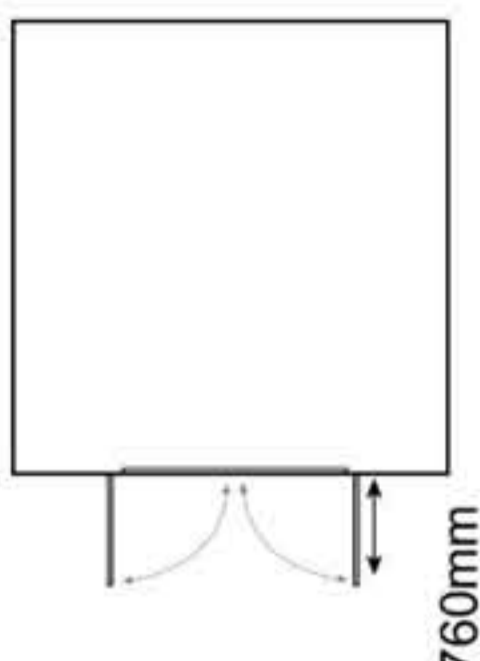
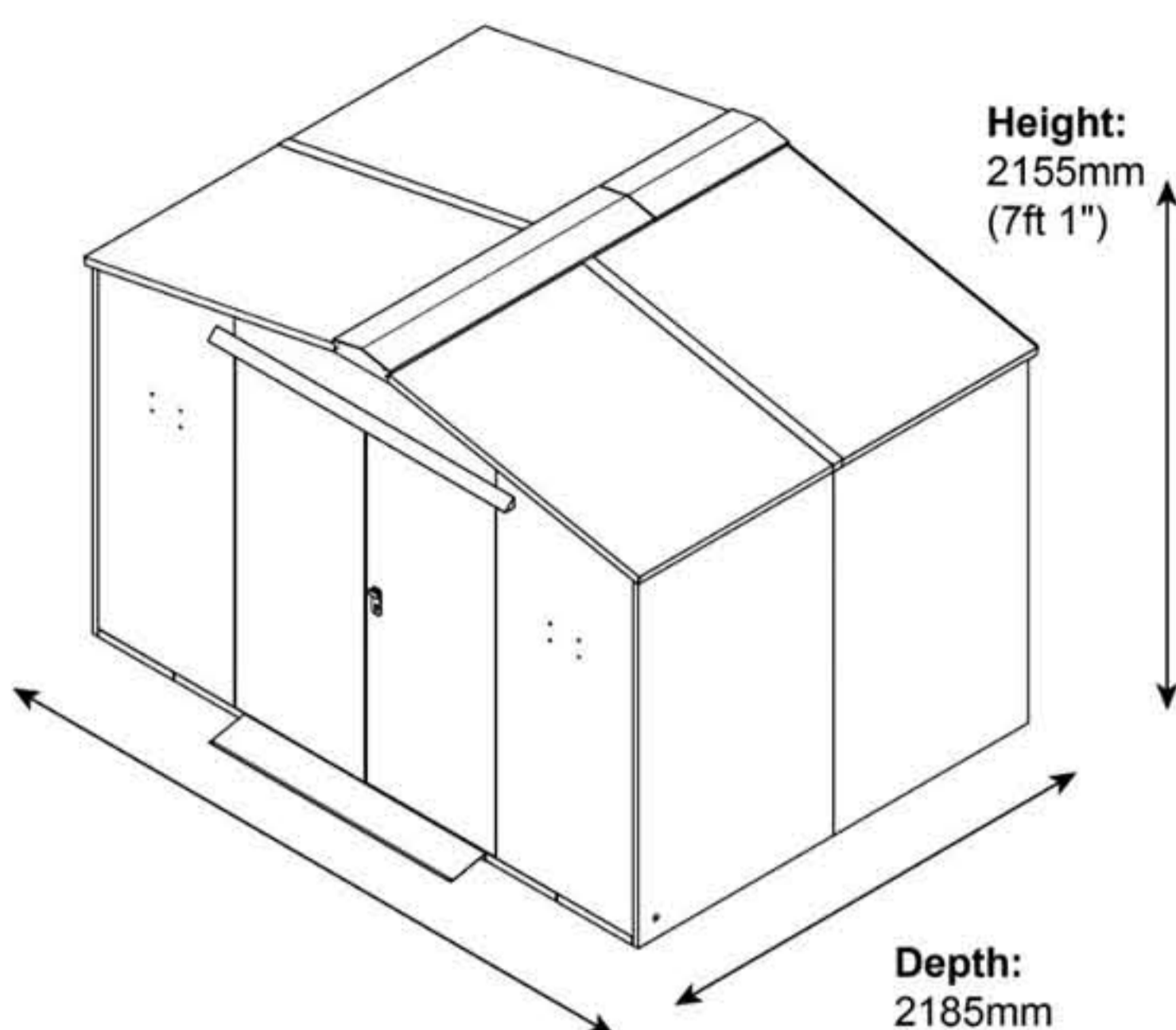


**The Gardien School Pack 3 (10ft x 7ft)  
GARRISON (HIGH SECURITY) WORKSHOP SHED  
EXTERNAL MEASUREMENTS**

**Weight:**  
495kg (77.9 stone)  
**Door Aperture:**  
1690mm (5ft 6") x  
1420mm (4ft 7")



**Door Clearance**  
760mm (2ft 6")



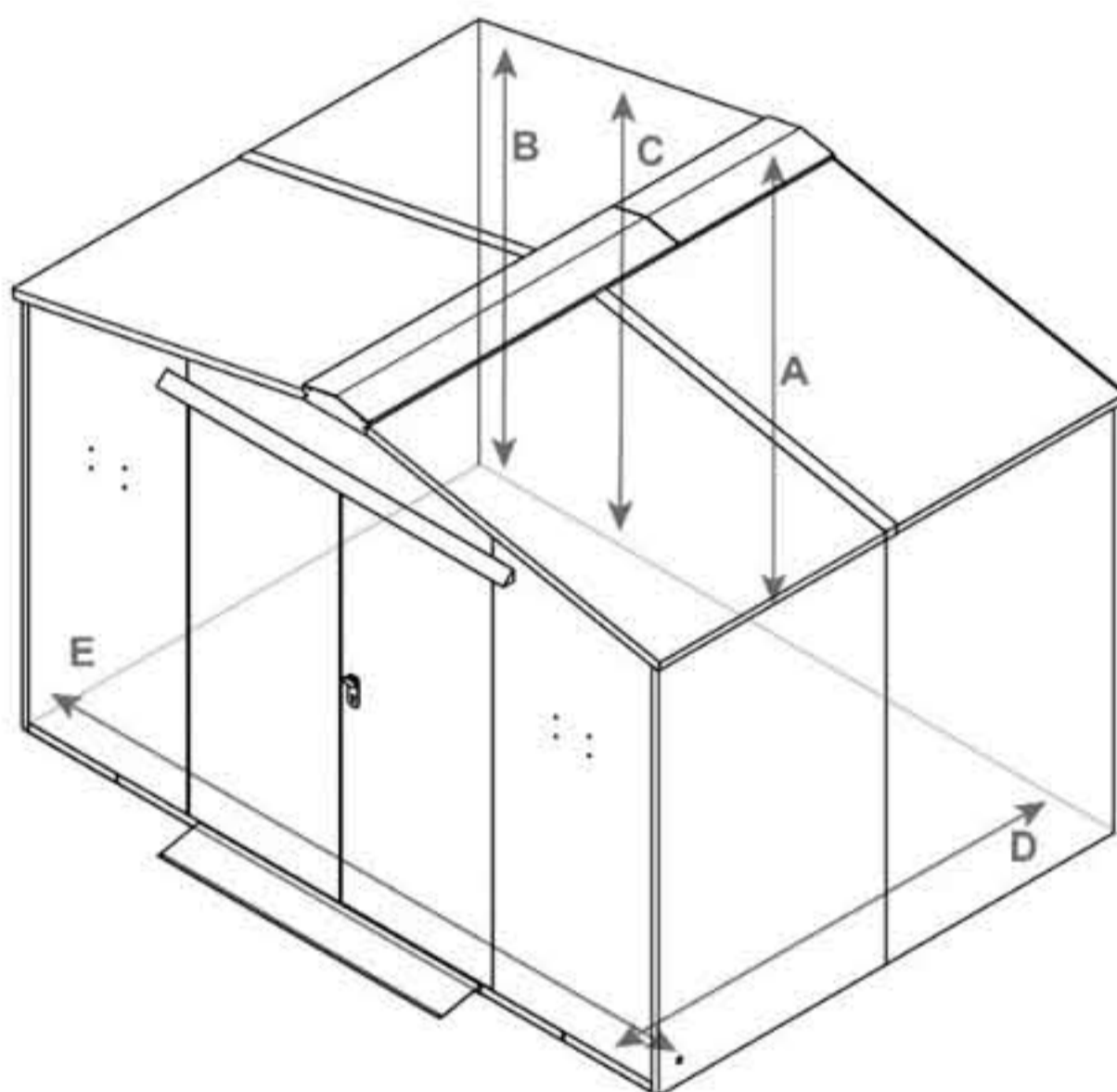
**Width:** 3050mm (10ft)  
**Width Including Roof:**  
3109mm (10ft 2")

**Height:**  
2155mm  
(7ft 1")

**Depth with Ramp:**  
2385mm  
(7ft 9")

**The Gardien School Pack 3 (10ft x 7ft)  
GARRISON (HIGH SECURITY) WORKSHOP SHED  
INTERNAL MEASUREMENTS**

**A. Internal Height (to apex):**  
2048mm (6ft 8")  
**B. Internal Height (to eaves):**  
1780mm (5ft 10")  
**C. Internal Height (In line with a workbench):**  
1916mm (6ft 3")  
**D. Internal Depth:**  
2085mm (6ft 10")  
**E. Internal Width:**  
3009mm (9ft 10")



**The Gardien School Pack 3 (10ft x 7ft)  
GARRISON (HIGH SECURITY) WORKSHOP SHED  
RECOMMENDED BASE SIZE**

**Base Size:**  
3200mm (10ft 6") x  
2640mm (8ft 8")  
Including space for  
the ramp.  
**Base Depth:**  
Min. 50mm  
**Recommended:**  
Concrete,  
Tarmac,  
Paving Flags

